

PIVOT DOOR

INSTALLATION INSTRUCTIONS

www.aquadart.co.uk

Tools Required (not supplied)



Drill



6mm Masonry Drill



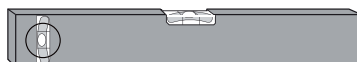
Pencil



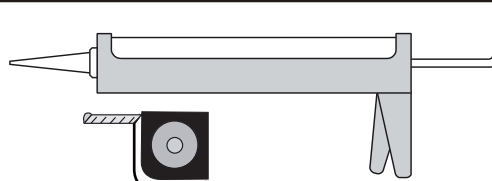
PH2 Screwdriver



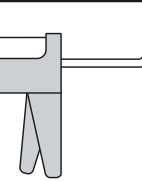
3mm Drill bit



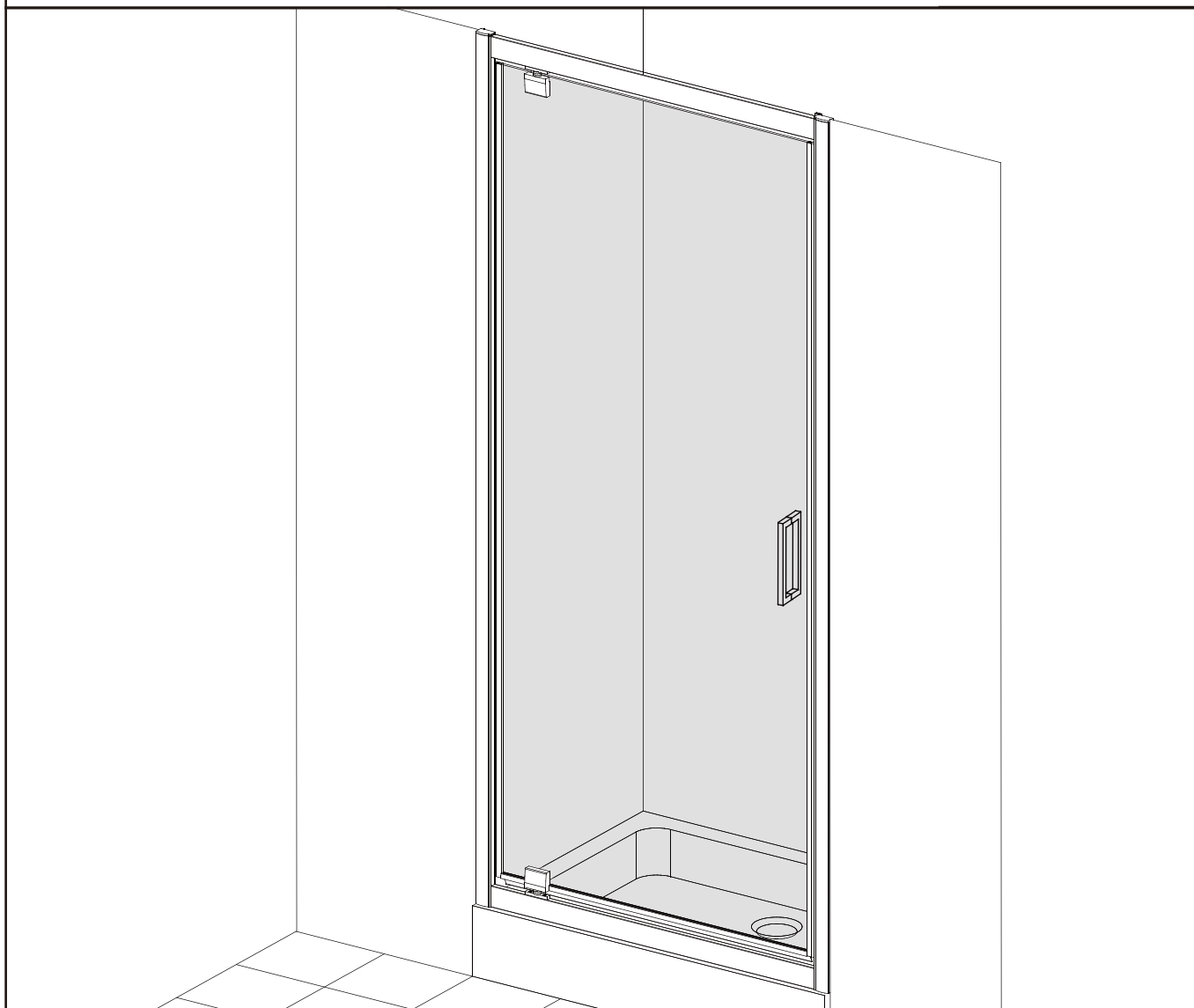
Spirit level



Tape Measure



Sealant Gun

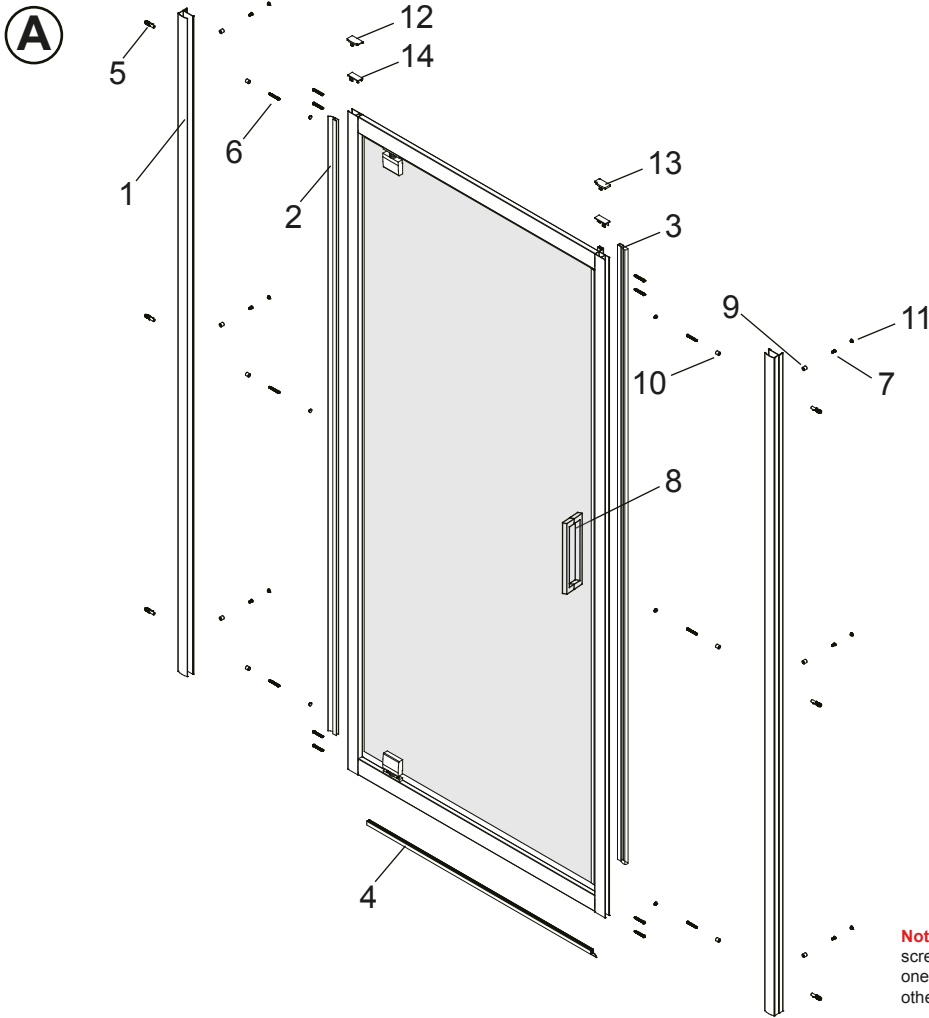


Important Safety/Assembly Instructions

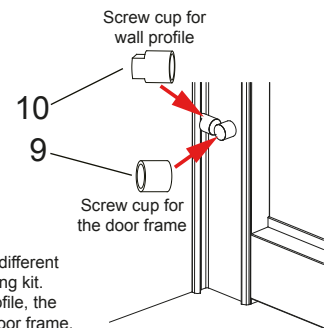
This product should be installed by a suitably qualified and proficient person. The fitting instructions should be followed carefully to ensure a proper and safe installation. Failure to follow these instructions could result in future injury.

These instructions and list of parts assume that installation is done against solid/tiled walls. Please check this product for damage prior to starting the installation. No claims can be made after the product has been fitted.

PLEASE NOTE :The minimum and maximum adjustment sizes noted on the product brochures are based on perfectly plumb walls and trays.



Item	Description	Image	Qty
1	Wall Channel		2
2	Vertical seal		1
3	Magnetic strip		1
4	Bottom Seal		1
5	Wall Plug		6
6	Screw ST3.5x30		6
7	Screw ST4x12		6
8	Handle		1
9	Screw Cup A		6
10	Screw Cup B		6
11	Screw Cap		15
12	Standard Wall Profile Cap-LH		1
13	Standard Wall Profile Cap-RH		1
14	Upright Profile Cap		2



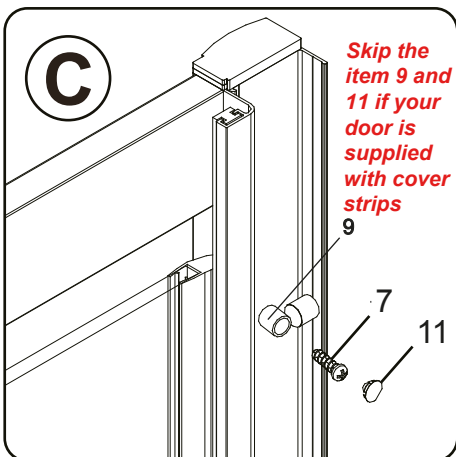
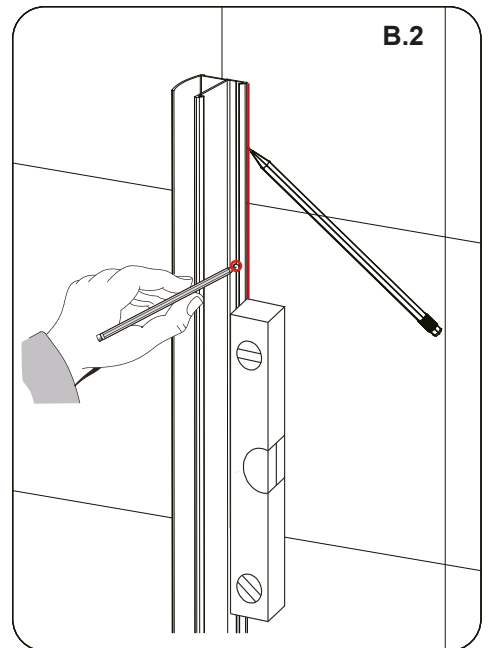
Note: There are two different screw cups in the fitting kit. one is for the wall profile, the other one is for the door frame.

B.1 Place the wall profiles onto the enclosure. Position the enclosure onto the tray. Ideally the enclosure should be positioned 20mm from the edge of the tray as shown. Centralize the enclosure onto the tray top rim and position vertically plumb using a spirit level.

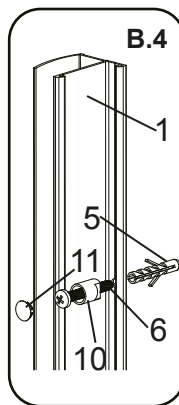
B.2 Mark the position for fixing the wall profile using a pencil or a water soluble pen as shown.

B.3 Remove the enclosure then drill the holes to the wall using $\varnothing 6$ drill bit as shown.

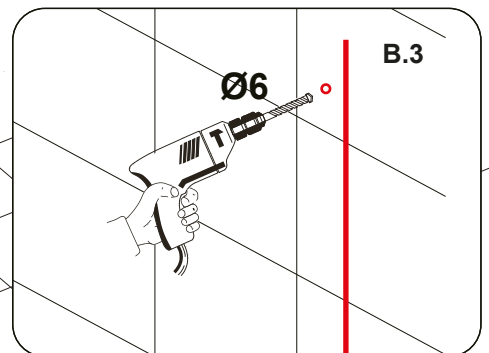
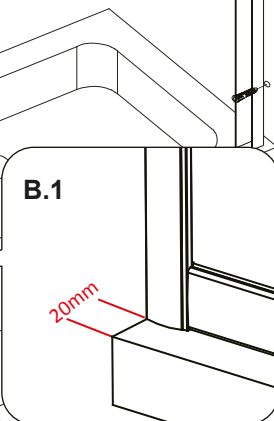
B.4 Insert the wall plugs into the wall holes. Then Secure the wall profile using ST3.5 x 30 screw and Screw Cup B. Then put the Screw cap on to hide the screw head.

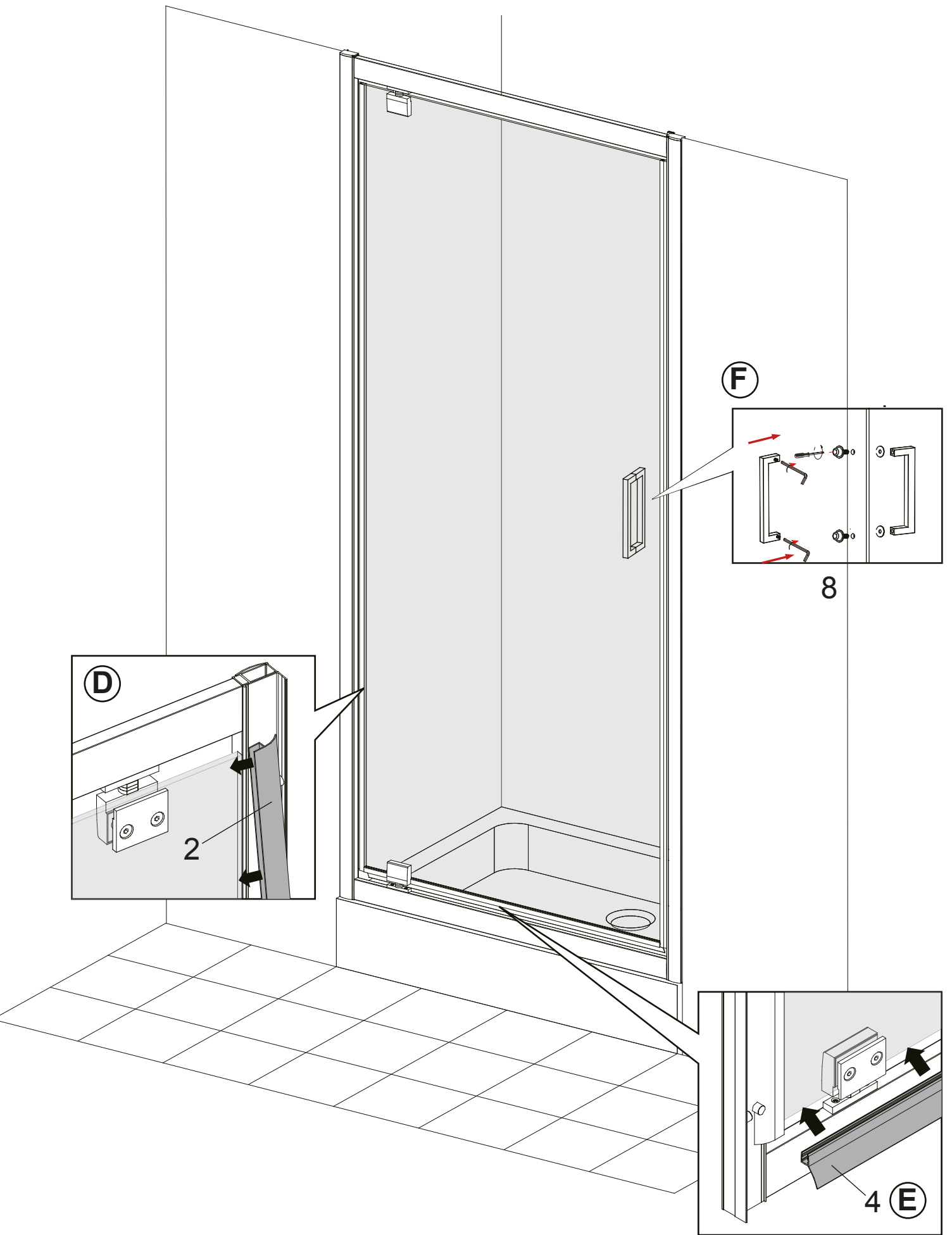


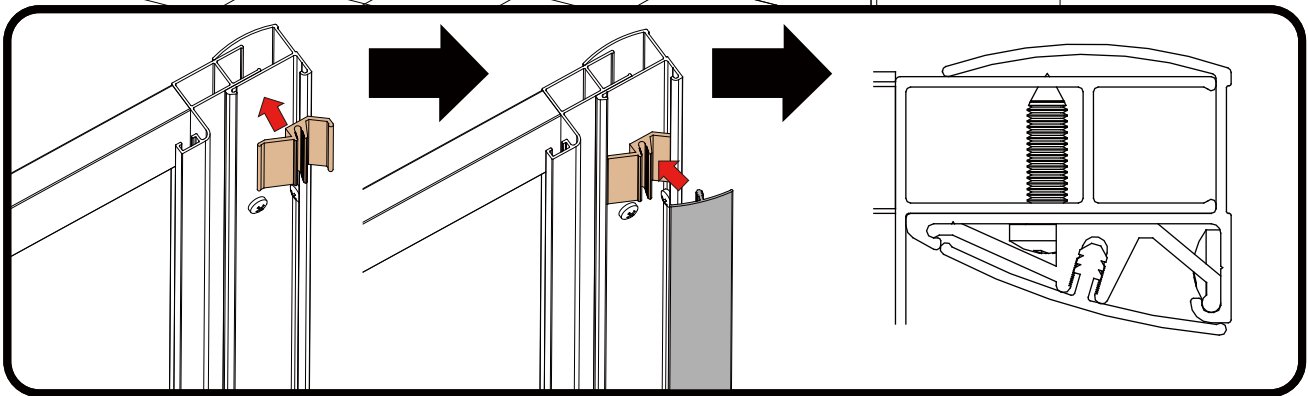
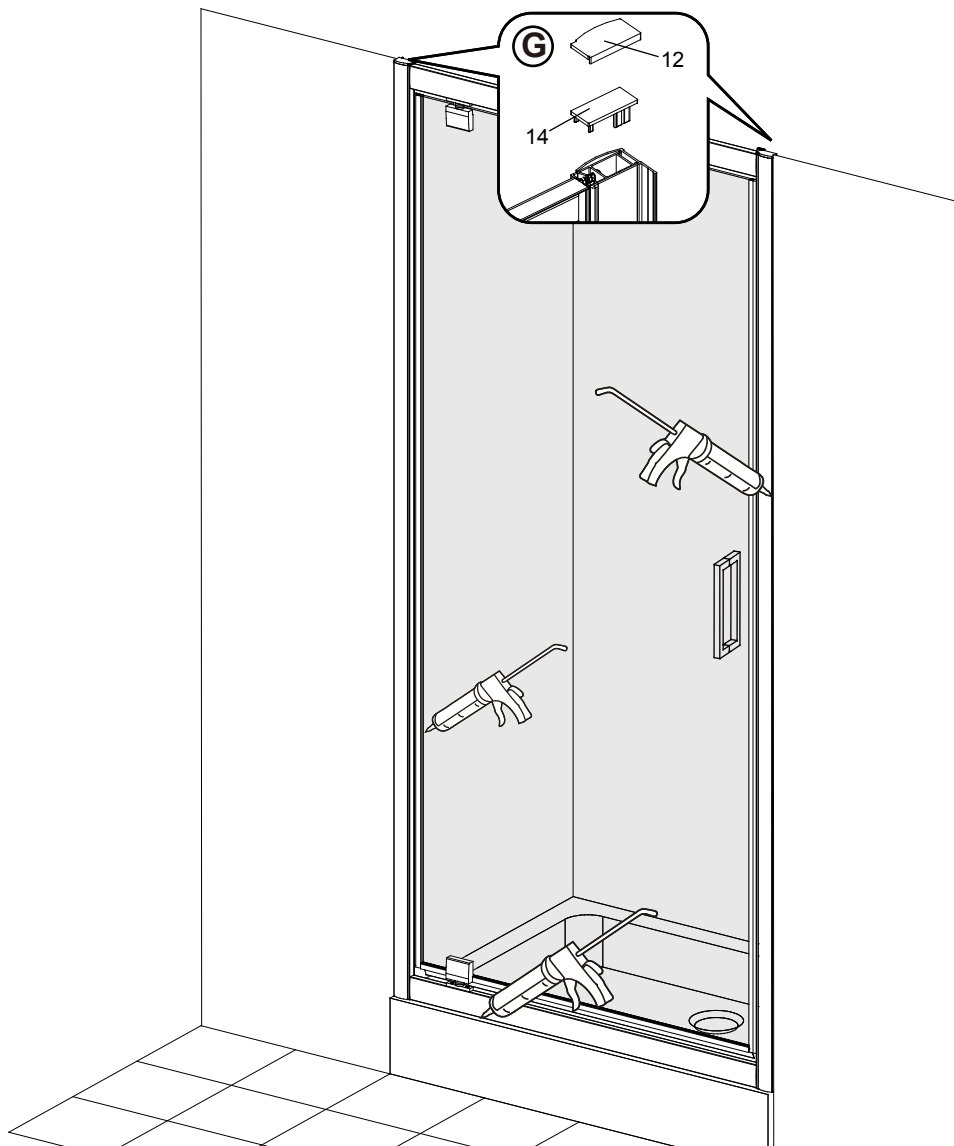
Skip the item 9 and 11 if your door is supplied with cover strips



Skip the item 10 and 11 if your door is supplied with cover strips.







Tips - In cold weather the seal may be more difficult to fit. In this case it is advisable to warm the seal in some warm soapy water to make it more pliable.

Applying Silicone Sealant

Sealing Inside

Seal from the top of the wall profile to the bottom on the **INSIDE** between the wall profile and the wall.

IMPORTANT: Do not apply sealant on inside of tray.

Sealing Outside

Seal only along the bottom rail and glass on the **OUTSIDE** between the profile /glass and the tray. Also up between the wall profile and the wall.

Seal also the joints between the bottom profile and any upright profiles.

<p>24 HRS</p>	<p>DO NOT USE THE ENCLOSURE FOR 24 HOURS AFTER SEALING</p>
----------------------	-------------------------------------------------------------------

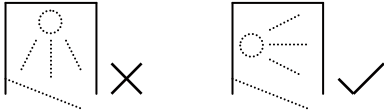
AFTERCARE

Cleaning Instructions

It is important to clean your Aquadart shower enclosure after every use. Please wipe down all glass and metal parts with a clean soft cloth. Ensure that all residual water on the glass is removed after every use.

Usage

For reliable, watertight performance from your Aquadart enclosure your shower head should not be positioned so that the shower sprays directly onto the enclosure door. Failure to comply with this may cause the shower to leak. Outward opening doors may cause water to drip onto the floor, please ensure that the floor covering immediately outside the enclosure will not be affected by water.



This product has been treated with Clean & Clear™ easy clean glass treatment, a protective barrier which creates a 'non-stick' surface on your glass, helping to resist lime scale build up and water spots. For further information on Clean & Clear™ please visit www.aquadart.co.uk

Aftercare

Clean & Clear™ glass can be cleaned with any suitable nonabrasive glass cleaner - with PH value of between 3-11; the coating will not be damaged. Avoid surfactants and heavily perfumed products. Vinegar and water based products are very effective. Do not use abrasive scrubbing cleaners or equipment for cleaning.

Warranty

Limited 5 year Warranty for Clean & Clear™ treatment: To guarantee treated surfaces will remain more repellent than untreated glass for 5 years from start of use, as long as basic manufacturer maintenance recommendations are followed and no harsh or abrasive cleaners are used.

AQUADART

Riverside Business Park, Royd Ings Avenue, Keighley, West Yorkshire, BD21 4AF
For technical / aftersales queries, please visit our website : www.aquadart.co.uk
or Sales Tel : 01535 613830 Technical: 01535 613830 Fax: 01535 613831

