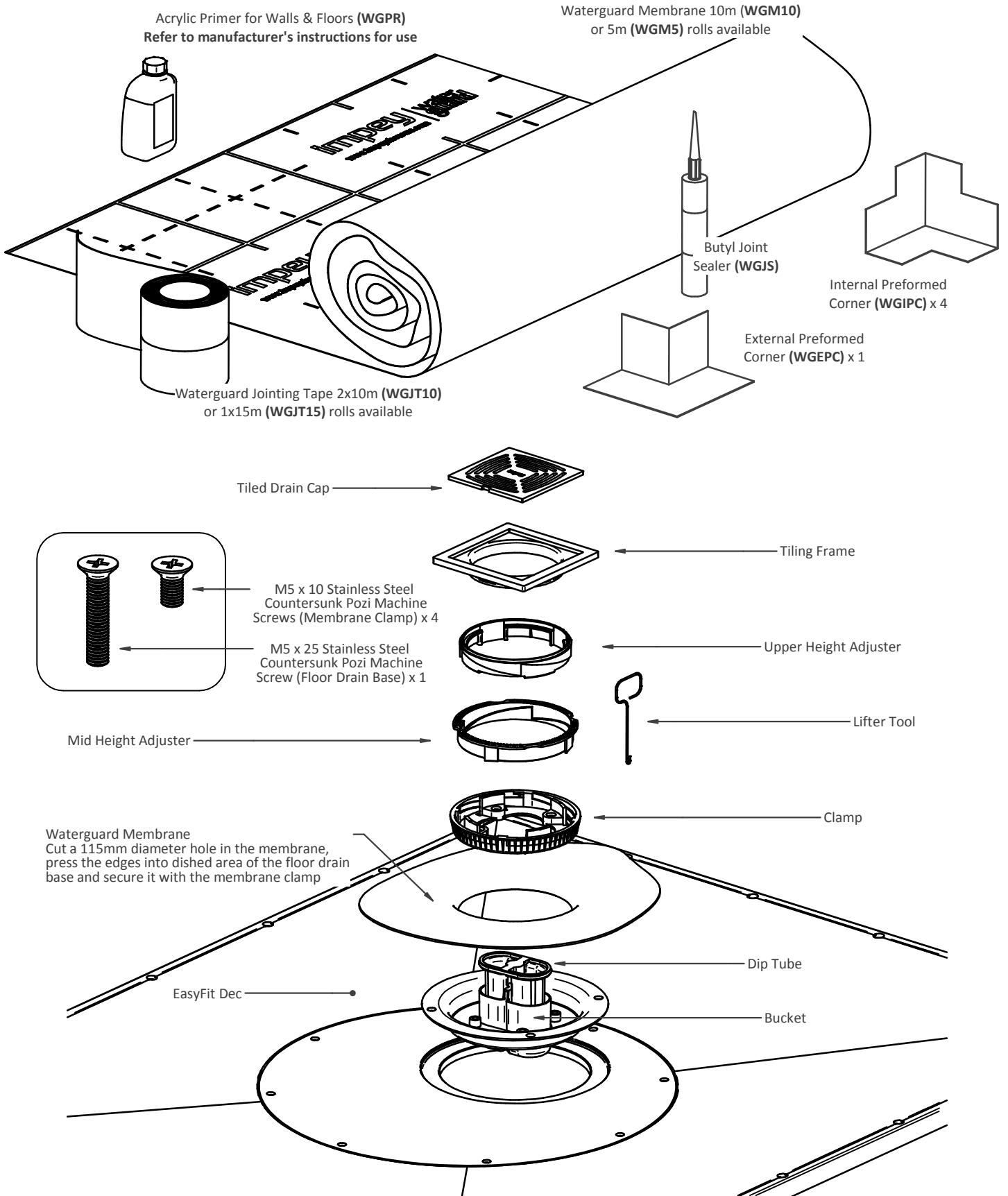


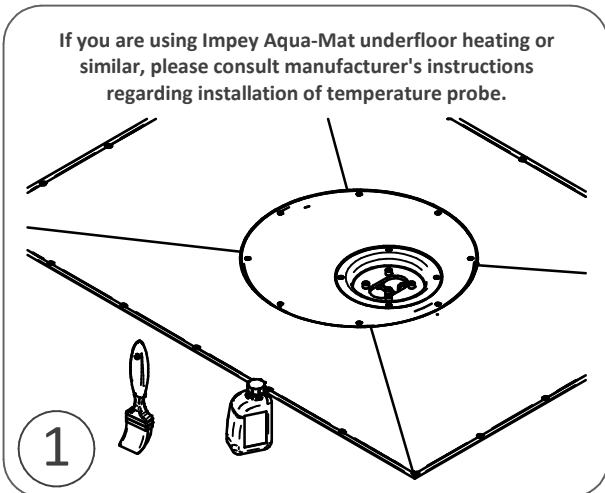
## Tiling Kit Installation Guide

### Waterguard Membrane

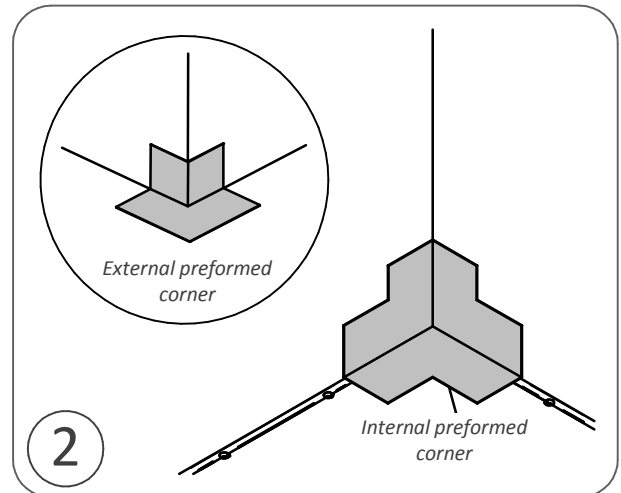
### WG5/WG10



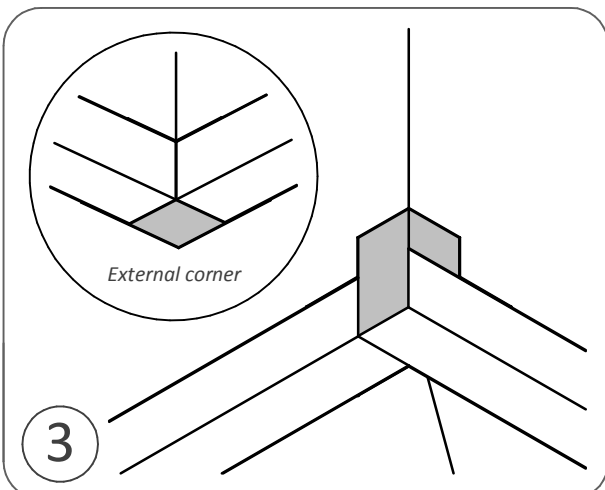
## Tiling Kit Installation Guide Waterguard Membrane



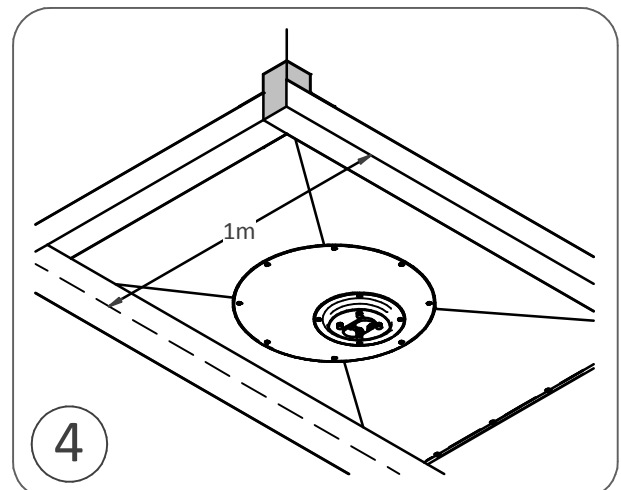
Ensure the surface is clean, dry, free from dust, grease, oil etc., all indentations should be filled and any protrusions struck off. Oily or greasy surfaces should be cleaned with a suitable cleaner, thoroughly rinsed then allowed to dry. Apply the primer to all porous surfaces.



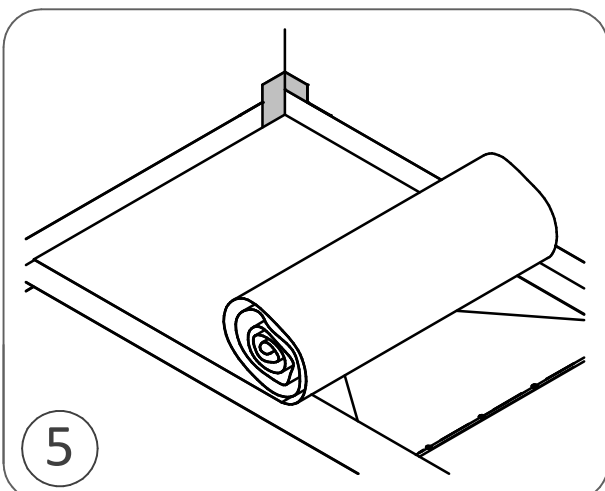
When primer is fully dry begin tanking the wetroom. Apply the internal or external preformed corner to wall to wall and wall to floor interfaces.



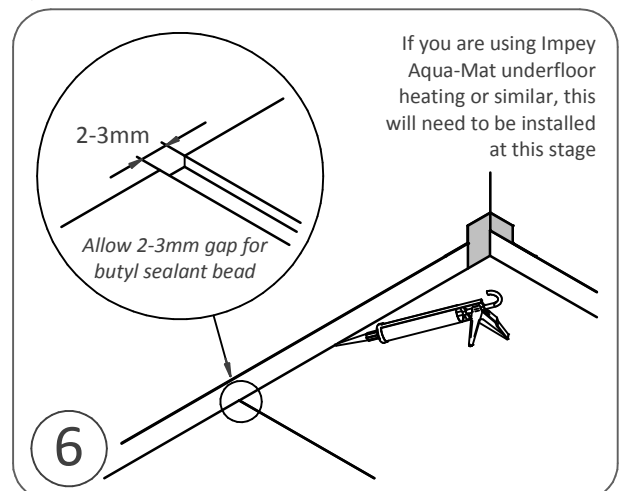
Using the 150mm jointing tape, line all the corners and wall/floor junctions so that the tape overlaps 75mm at the wall and 75mm onto the floor.



Measure 1m (the width of the sheet of Waterguard Membrane) and mark a guide line for the jointing tape. Removing the release paper set the tape down so that the guide line runs along the centre of the tape.

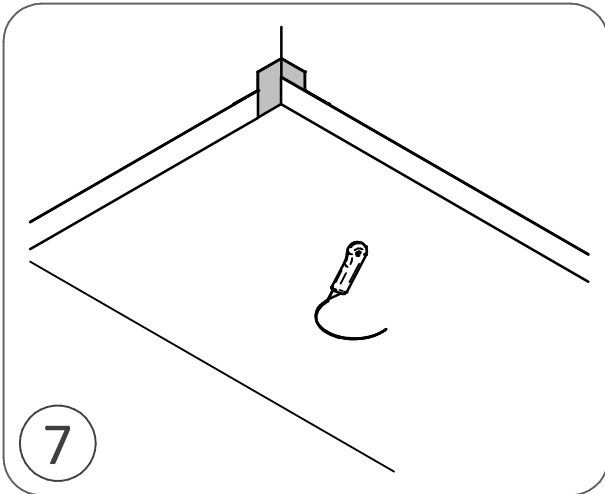


Measure and cut required length of Waterguard Membrane. Remove the release paper and carefully set into position - pressing firmly onto the jointing tape. Repeat steps 4 and 5 until the floor is covered.

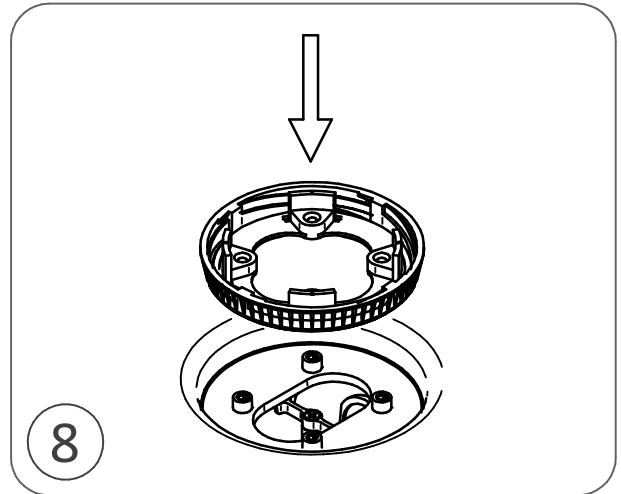


Using an applicator gun, apply sealant at all wall to wall and wall to floor interfaces, pipe entries, etc. **Allow the sealant to cure before applying tile adhesive.**

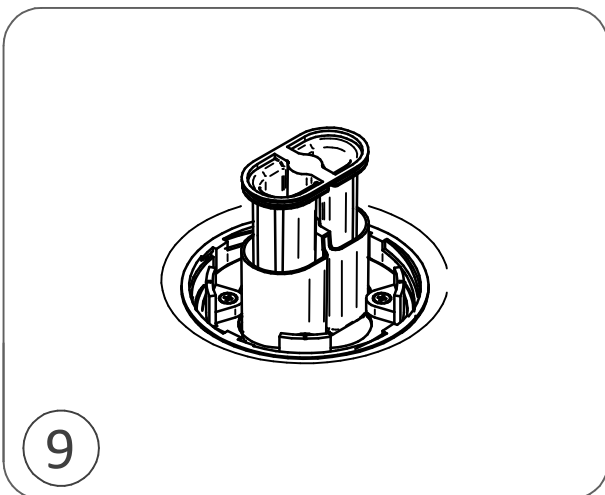
## Tiling Kit Installation Guide Waterguard Membrane



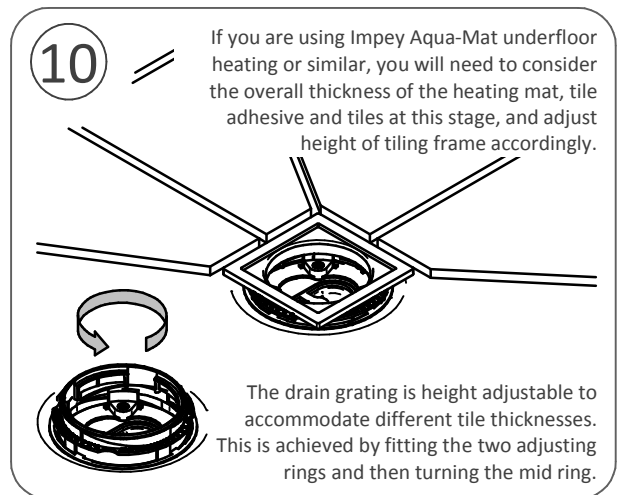
7  
Locate the centre of the drain and cut a circular hole to 115mm diameter (central to the bowl). Care should be taken not to damage the drain when cutting the hole.



8  
After the membrane is cut, the clamp can be gently pressed into place. Ensure the clamp is fully down before hand tightening the four clamp screws evenly.



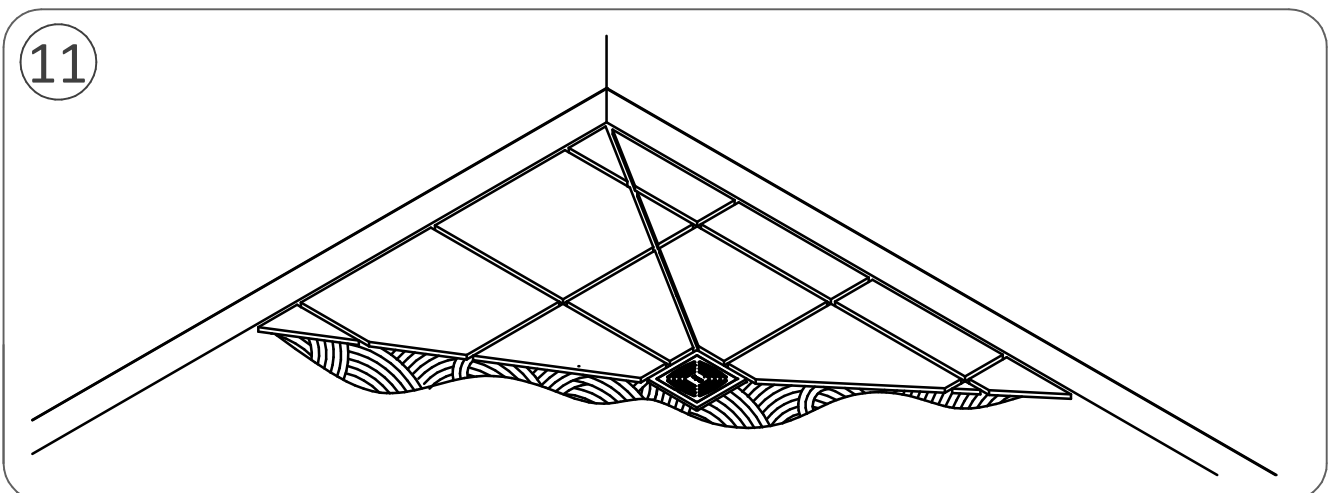
9  
Insert the bucket and dip tube into the waste trap. Ensure they are pushed securely into position.



10  
If you are using Impey Aqua-Mat underfloor heating or similar, you will need to consider the overall thickness of the heating mat, tile adhesive and tiles at this stage, and adjust height of tiling frame accordingly.

The drain grating is height adjustable to accommodate different tile thicknesses. This is achieved by fitting the two adjusting rings and then turning the mid ring.

Ensure the top edge of the grating matches the finished height of your tiles -including adhesive, then glue the rings in place with ABS suitable solvent cement.



11  
The installation of EasyFit Dec is now finished. Apply tiles to the whole area. If you are using large format tiles, they must be cut diagonally to follow the falls in the Dec, e.g. from the corners of the tiling frame to the corners of the Dec. In all cases the tiles must be laid to follow the falls/gradient of the Dec.

# impey

THE WETROOM SPECIALIST

IMPEY SHOWERS LIMITED, CONQUEST BUSINESS PARK, ILTON, SOMERSET TA19 9EA  
TEL: 0870 909 0770 | FAX: 01460 57605 | EMAIL: [info@impeyshowers.com](mailto:info@impeyshowers.com)

[www.impeyshowers.com](http://www.impeyshowers.com)



[facebook.com/impeyshowers](https://facebook.com/impeyshowers)



[@impeyshowers](https://twitter.com/impeyshowers)