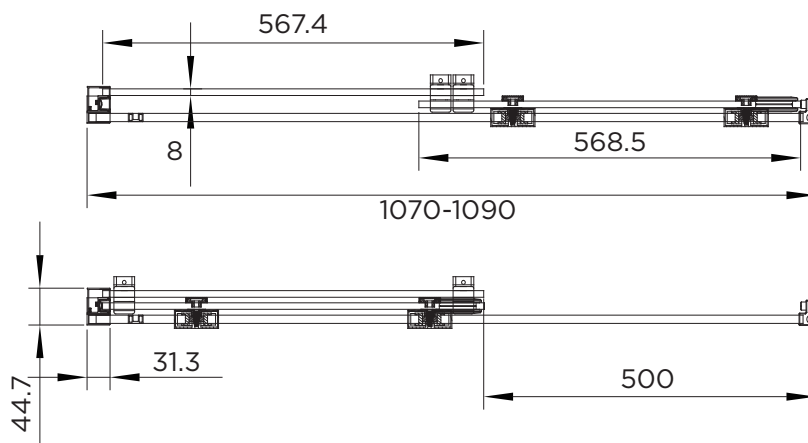


SPECIFICATION

ROLLA 8

SLIDING WETROOM

RANGE	ROLLA 8
PRODUCT	SLIDING WETROOM
CODE	AQ8941S
SIZE	1100
PROFILE COLOUR	SILVER
GLASS THICKNESS	8mm
GLASS FINISH	CLEAR
GLASS TREATMENT	CLEAN & CLEAR™
HEIGHT	2000
ADJUSTMENT IN RECESS	1070-1090
ADJUSTMENT WITH SIDE PANEL	1065-1085
OPTIONAL SIDE PANEL	YES
APERTURE	480/500
GUARANTEE	LIFETIME
CE	EN14428
GLASS BS EN	EN12150-1T
PROFILE MATERIAL	ALUMINUM /STAINLESS STEEL
HANDLE MATERIAL	ZINC ALLOY
ROLLER MATERIAL	ZINC ALLOY
QUICK RELEASE ROLLERS	NO
FIXED PANEL SIZE	567.5
MOVING PANEL SIZE	568.5
PRODUCT HAND	UNIVERSAL
PRODUCT WEIGHT	51KG
PACKAGED DIMENSIONS	2090x625x96
BARCODE	5031978068698



*All shower enclosures carry a Lifetime Guarantee when fitted with an Aquadart shower tray, a 10 year Guarantee will be given when fitted with any other manufacturer's tray.

To register your Guarantee visit: www.aquadart.co.uk | Spare Parts available at: www.aprilaquadartspares.co.uk

All measurements in mm and are nominal