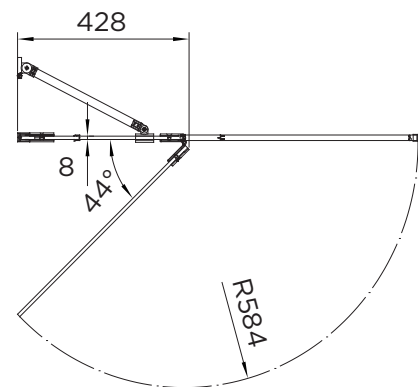
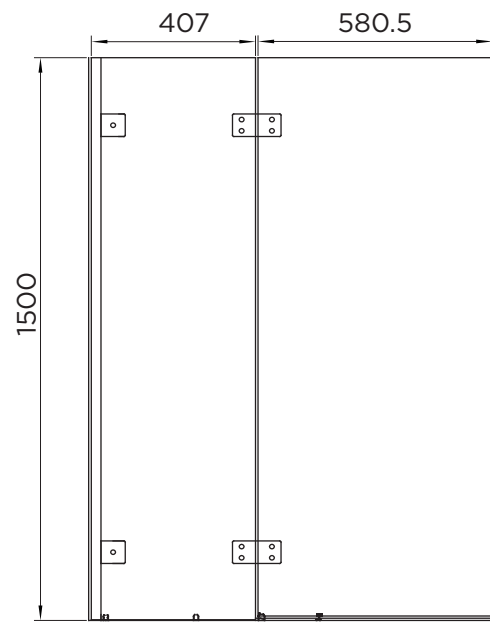
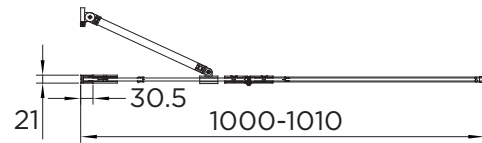


BATH SCREEN SPECIFICATION

venturi 8

HINGED BATH SCREEN

RANGE	VENTURI 8
PRODUCT	BATH SCREEN
CODE	AQ6002-BLK
SIZE	1000
PROFILE COLOUR	BLACK
GLASS THICKNESS	8mm
GLASS FINISH	CLEAR
GLASS TREATMENT	CLEAN & CLEAR™
HEIGHT	1500
ADJUSTMENT	1000-1010
GARANTEE	LIFETIME*
GLASS BS EN	EN12150-1T
CE	YES/EN14428
PROFILE MATERIAL	ALUMINUM/6463#
HINGE MATERIAL	ZINC ALLOY
FIXED PANEL SIZE	407
MOVING PANEL SIZE	580.5
OPENING	OUTWARD
PRODUCT HAND	UNIVERSAL
PRODUCT WEIGHT	30KG
PACKAGED DIMENSIONS	1590x660x75
BARCODE	5031978069176



*All shower enclosures carry a Lifetime Guarantee when fitted with an Aquadart shower tray, a 10 year Guarantee will be given when fitted with any other manufacturer's tray.

To register your Guarantee visit: www.aquadart.co.uk | Spare Parts available at: www.aprilaquadartspares.co.uk

All measurements in mm and are nominal